



ISO 9001:2008
RQ91/5900

MANOHAR
VALVES

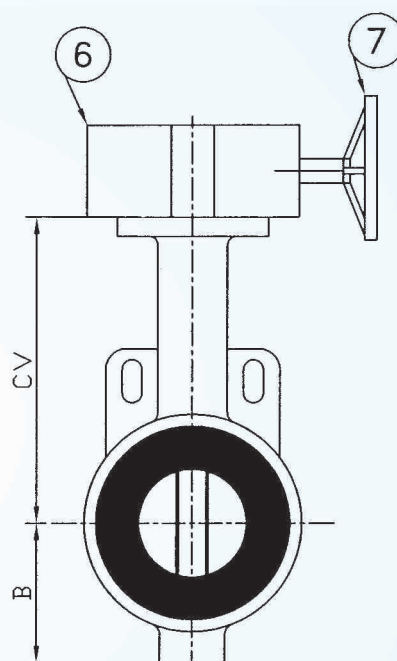
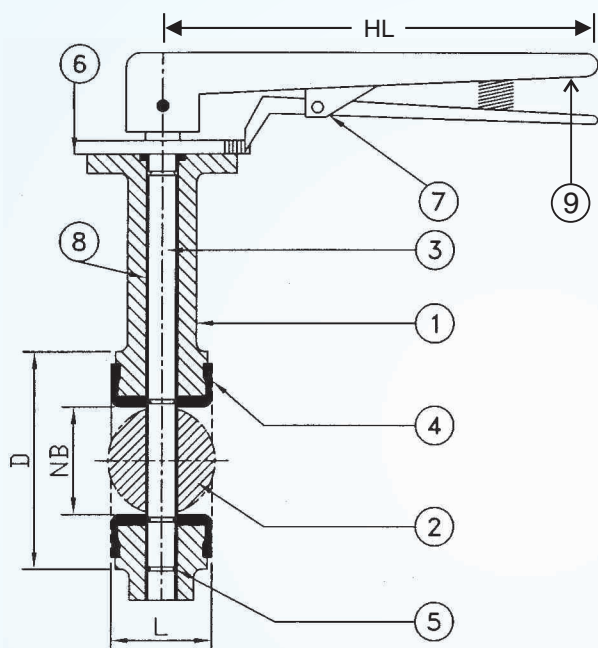
HIGH PERFORMANCE INDUSTRIAL VALVES



MANOHAR
VALVES

D196/SPL-53, Industrial Estate,
Gokul Road, HUBLI - 580 030. Karnataka, INDIA.
Phone : 91-836-2236488, Fax : 91-836-4259034.
Cell : 91-9886281025.
E-mail : info@manoharvalves.com
manoharvalves@yahoo.com
Visit us at : www.manoharvalves.com

HIGH PERFORMANCE INDUSTRIAL VALVES



TECHNICAL DATA

Size Range	: 40 to 300 mm
Pressure Rating	: PN10/PN16
Temp. Rating	: Material will be selected according to service

Designs Standards :
BS5155/API609/MSS SP67

Testing Standards : API598

Actuator Mounting Standard :
ISO 5211

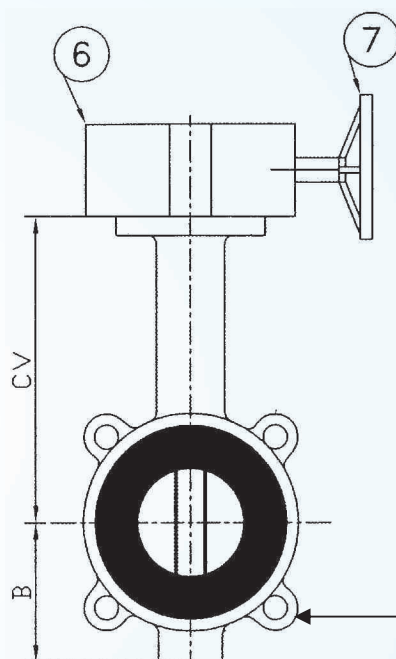
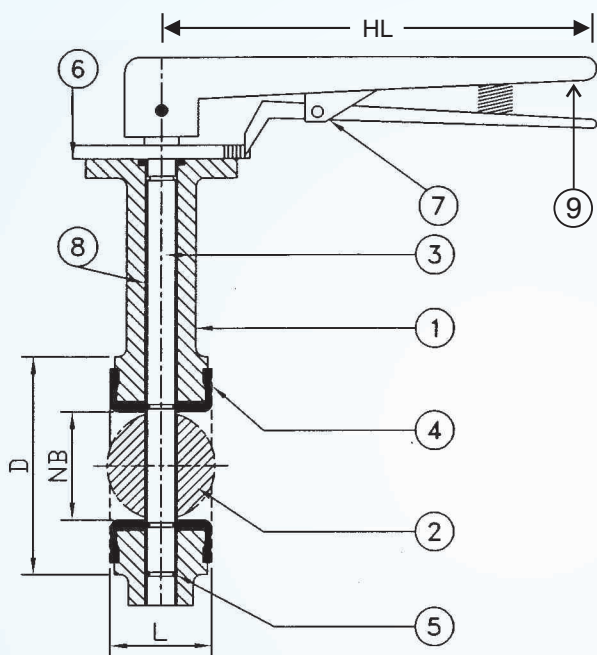
DIMENSIONAL DETAILS		Dimensions in mm									
Dimensions	Valve Size	40 1.5"	50 2"	65 2.5"	80 3"	100 4"	125 5"	150 6"	200 8"	250 10"	300 12"
L	Face to face	33	43	46	46	52	56	56	60	68	78
CV	Centre line to top of Body Platform	95	105	111	121	139	171	184	218	251	280
B	Centre line to bottom	66	65	75	85	105	125	144	168	217	245
D	Maximum Dia. of body	85	91	111	124	162	190	219	273	337	384
HL	Maximum length of valve flow control lever	175	175	175	260	260	260	260	--	--	--
NB	Diameter of Protruding Disc*	38	50	63	76	102	127	152	203	254	305

BILL OF MATERIAL

No.	Parts Name	Qty.	Material
01.	BODY	01	C.I. / WCB / S.G.I. / CF8 / CF8M
02.	DISC	01	WCB / S.G.I. / CF8 / CF8M / AB-2
03.	SHAFT	01/02	SS 410 / SS304 / SS316 / MONEL
04.	SEAT	01	NITRILE / EPDM / SILICON / VITON / HYPLON
05.	'O' RING	02	NITRILE / EPDM / SILICON / VITON / HYPLON
06.	GEAR BOX	01	C.I.
07.	HAND WHEEL	01	STEEL FABRICATED
08.	BRG. BUSH	02	GM / BRONZE / POLYACETEL / PTFE / G.F.T. / S.S. 304 / S.S. 316
09.	HAND LEVER	01	STEEL FABRICATED

NOTE : Valves will be supplied with gear box for size 200 mm and above.

HIGH PERFORMANCE INDUSTRIAL VALVES



TECHNICAL DATA

Size Range	: 40 to 300 mm
Pressure Rating	: PN10/PN16
Temp. Rating	: Material will be selected according to service

Designs Standards :

BS5155/API609/MSS SP67

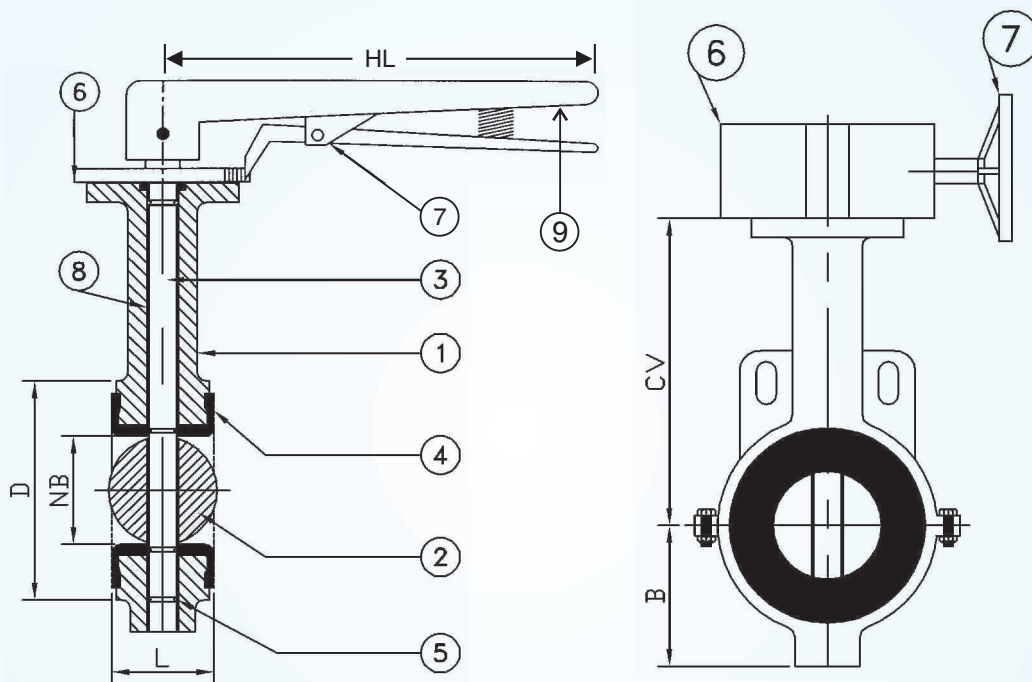
Testing Standards : API598

Actuator Mounting Standard : ISO 5211

DIMENSIONAL DETAILS		Dimensions in mm							
Dimensions	Valve Size	40 1.5"	50 2"	65 2.5"	80 3"	100 4"	125 5"	150 6"	200 8"
L	Face to face	33	43	46	46	52	56	56	60
CV	Centre line to top of Body Platform	95	105	111	121	139	171	184	218
B	Centre line to bottom	66	65	75	85	105	125	144	168
D	Maximum Dia. of body	85	91	111	124	162	190	219	274
HL	Maximum length of valve flow control lever	175	175	175	260	260	260	260	--
NB	Diameter of Protruding Disc*	38	50	63	76	102	127	152	203

BILL OF MATERIAL			
No.	Parts Name	Qty.	Material
01.	BODY	01	C.I. / WCB / S.G.I. / CF8 / CF8M
02.	DISC	01	WCB / S.G.I. / CF8 / CF8M / AB-2
03.	SHAFT	01/02	SS 410 / SS304 / SS316 / MONEL
04.	SEAT	01	NITRILE / EPDM / SILICON / VITON / HYPLON
05.	'O" RING	02	NITRILE / EPDM / SILICON / VITON / HYPLON
06.	GEAR BOX	01	C.I.
07.	HAND WHEEL	01	STEEL FABRICATED
08.	BRG. BUSH	02	GM / BRONZE / POLYACETEL / PTFE / G.F.T. / S.S. 304 / S.S. 316
09.	HAND LEVER	01	STEEL FABRICATED

NOTE : Valves will be supplied with gear box for size 200 mm and above.



TECHNICAL DATA

Size Range	: 40 to 300 mm
Pressure Rating	: PN10/PN16
Temp. Rating	: Material will be selected according to service

Designs Standards :
BS5155/API609/MSS SP67

Testing Standards : API598

Actuator Mounting Standard :
ISO 5211

DIMENSIONAL DETAILS

Dimensions in mm

Dimensions	Valve Size	40 1.5"	50 2"	65 2.5"	80 3"	100 4"	125 5"	150 6"	200 8"	250 10"	300 12"
L	Face to face	33	43	46	46	52	56	56	60	68	78
CV	Centre line to top of Body Platform	95	105	111	121	139	171	184	218	251	280
B	Centre line to bottom	66	65	75	85	105	125	144	168	217	245
D	Maximum Dia. of body	85	91	111	124	162	190	219	273	337	384
HL	Maximum length of valve flow control lever	175	175	175	260	260	260	260	--	--	--
NB	Diameter of Protruding Disc*	38	50	63	76	102	127	152	203	254	305

BILL OF MATERIAL

No.	Parts Name	Qty.	Material
01.	BODY	01	C.I. / WCB / S.G.I. / CF8 / CF8M
02.	DISC	01	WCB / S.G.I. / CF8 / CF8M / AB-2
03.	SHAFT	01/02	SS 410 / SS304 / SS316 / MONEL
04.	SEAT	01	PTFE
05.	'O" RING	02	NITRILE / EPDM / SILICON / VITON / HYPLON
06.	GEAR BOX	01	C.I.
07.	HAND WHEEL	01	STEEL FABRICATED
08.	BRG. BUSH	02	GM / BRONZE / POLYACETEL / PTFE / G.F.T. / S.S. 304 / S.S. 316
09.	HAND LEVER	01	STEEL FABRICATED

NOTE : Valves will be supplied with gear box for size 200 mm and above.