

DESIGN STD : API 602 / BS EN ISO 15761
 TESTING STD : API 598/BS 6755 PART - I

STANDARD MATERIAL OF CONSTRUCTION		
PT No.	PART NAME	MATERIAL
01	Body	ASTM A-105
02	Bonnet	ASTM A-105
03	Seat Ring	ASTM A276 GR 410
04	Disc	ASTM A 217 CA15
05	Stem	ASTM A276 GR 410
06	Screw	Steel Galvanised
07	Washer	Steel Galvanised
08	Gland	ASTM A276 GR 410
09	Gland Flange	ASTM A105
10	Packing	Graphite
11	Gasket	SPW +304 Filled with Grafoil
12	Eye Bolt Nut	ASTM A194 GR 2H
13	Eye Bolt / Stud	ASTM A193 Gr B7
14	Yoke Bush	D2 (NI, RESIST)
15	Handwheel	Malleable Iron IS : 210B
16	Stud / Nut	A 193 Gr.B7 / A194 Gr.2H
17	Name Plate	Stainless Steel
18	Handwheel Nuts	Carbon Steel IS 1020

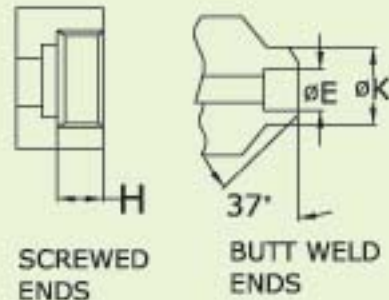
MATERIALS OF BODY AND BONNET ALSO AVAILABLE IN F304, F316, F304L, F316L, LF2, F11 AND F22

CLASS		800							
SIZE		8	10	15	20	25	32	40	50
A		88	88	88	92	106	128	128	140
B	OPEN	170	170	170	185	194	283	283	292
	CLOSE	160	160	160	170	176	252	252	254
	ΦC	110	110	110	110	110	170	170	170
	ΦD	6.4	6.4	9.0	12.0	17.0	24.0	24.0	30.0
	ΦF	14.1	17.5	21.8	27.2	33.9	42.7	48.8	61.2
	G	9.7	9.7	9.7	12.7	12.7	12.7	12.7	15.8
	H	10.2	10.4	13.5	14.5	17.3	20.0	21.0	22.0
	ΦK	14.1	17.5	23.0	28.0	35.0	44.0	50.0	62.0
	Wt. Kgs. Aprox	2.6	2.65	2.5	2.8	3.7	8.3	8.5	10.6

CODE	A105	F304	F316	CA15	CF8	CF8M	410	304	316	F 22
MATRL	A105	A182	A182	A217	A351	A351	A276	A276	A276	A182
SPECN		F304	F316	CA15	CF8	CF8M	410	304	316	F22

SALIENT FEATURES :

- 1) Outside Screw and rising stem construction.
- 2) Back seat feature enables re-packing of stuffing box on line with the valve in fully open position
- 3) Swinging eye bolt design for easy access of stuffing box.



NOTES :

- 1) Dimensions 'A' as per manufacturers Standard
- 2) Socket weld ends to ANSI.B16.11
- 3) Screwed ends to BSP
 - BSPT - BS:21/IS:554
 - NPT - ANSI B 1.20.1
- 4) Butt weld ends to ANSI B16.25
- 5) * For size 40 and 50 mm flow bore is not as per standard.
- 6) All dimensions are in mm.

TEST PRESSURE		BAR
HYBRID STATIC	SHELL	210
	SEAT	152
	BACKSEAT	152
AIR	SEAT	7

